



Second Harmonic Generator ASG

- High conversion efficiency
- Small walk-off angle
- Low beam divergence
- No heating

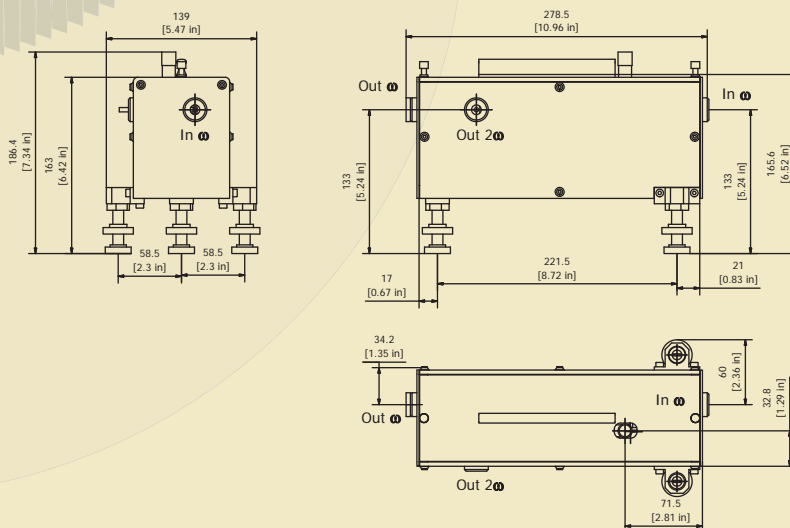


Second harmonic generator ASG

Product overview

Second harmonic generators ASG800, ASG800-B and ASG1250 are developed for producing the coherent radiation at doubling frequency for femtosecond oscillator sources having output wavelength range at 800 nm (Ti:S lasers) and 1.25 μm (Cr:F lasers). Principles of operation are based on second harmonic generation technique and provides stable radiation with good beam quality and small pulse broadening in fs scale.

ASG technical specifications



	ASG800	ASG800-B*	ASG1250
Input wavelength, nm	710 - 960	800	1250
Output wavelength range, nm	355 - 480	400	625
Input pulse width, fs	> 20		
Input polarization	linear-horizontal		
Input average power, mW	> 300		> 250
Conversion efficiency	> 22%	> 35%	> 30%
Temporal broadening, fs	< 100	< 60	< 60
Output polarization	linear-vertical		
Dimensions, mm	280x140x186	300x300x186	280x130x186

* - with additional optomechanical parts allowing negative GVD precompensation of the input pulse.